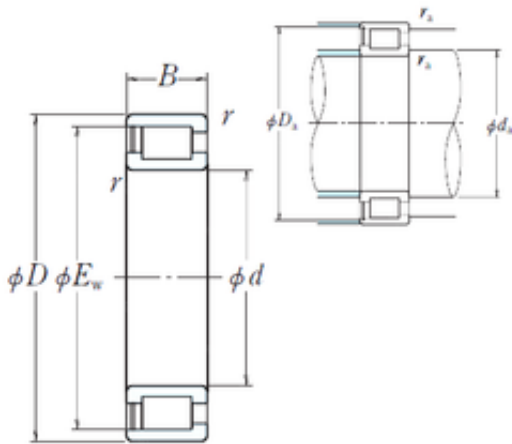




NTN BEARING CORP.OF CANADA LTD.



NCF3048V Bearing 2D drawings and 3D CAD models

NCF3048V NSK Tapered Roller Bearings Double-row

Bearing No. NCF3048V

Size	240x335.25x92 mm
Bore Diameter	240 mm
Outer Diameter	335,25 mm
Width	92 mm
d	240 mm
D	360 mm
Ew	335,25 mm
B	92 mm
C	92 mm
r min.	3 mm
Da	340 mm
ra max.	2,5 mm
da	259 mm
Weight	31,2 Kg
Basic dynamic load rating (C)	1160 kN
Category	Bearings
Inventory	0.0
Manufacturer Name	NSK
Minimum Buy Quantity	N/A
Weight / Kilogram	31.215
Product Group	B04144