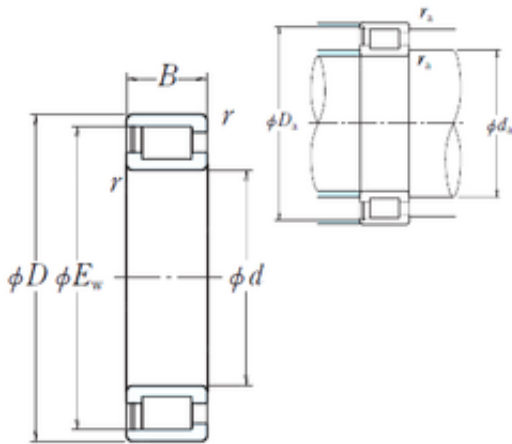




# NTN BEARING CORP.OF CANADA LTD.

200 mm x 280 mm x 48 mm NSK NCF2940V  
cylindrical roller bearings



Bearing No. NCF2940V

Size	200x261x48 mm
Bore Diameter	200 mm
Outer Diameter	261 mm
Width	48 mm
d	200 mm
D	280 mm
Ew	261 mm
B	48 mm
C	48 mm
r min.	2,1 mm
Da	263 mm
ra max.	2 mm
da	216 mm
Weight	8,9 Kg
Basic dynamic load rating (C)	530 kN
Category	Bearings
Inventory	0.0
Manufacturer Name	NSK
Minimum Buy Quantity	N/A
Weight / Kilogram	8.842
Product Group	B04144

NCF2940V Bearing 2D drawings and 3D CAD models