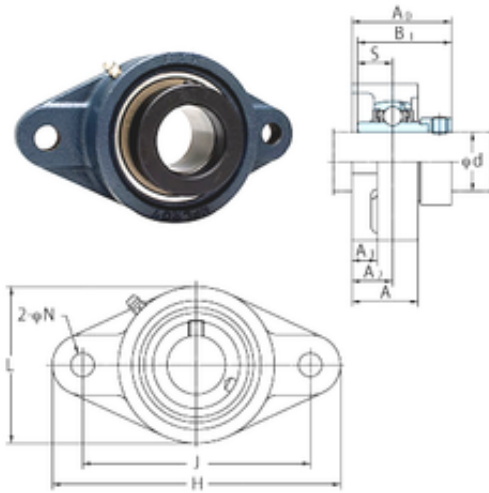




NTN BEARING CORP.OF CANADA LTD.

FYH NANFL205-14 bearing units

Bearing No. NANFL205-14



NANFL205-14 Bearing 2D drawings and 3D CAD models

Bore Diameter	22,225 mm
d	22,225 mm
A0	46,9 mm
A	31 mm
A1	13 mm
B1	44,4 mm
H	130 mm
J	98,8 mm
L	68 mm
N	12 mm
S	17,5 mm
Bolt (G)	3/8
A2	20 mm
Weight	0,9 Kg
Basic dynamic load rating (C)	14 kN
Basic static load rating (C0)	7,85 kN