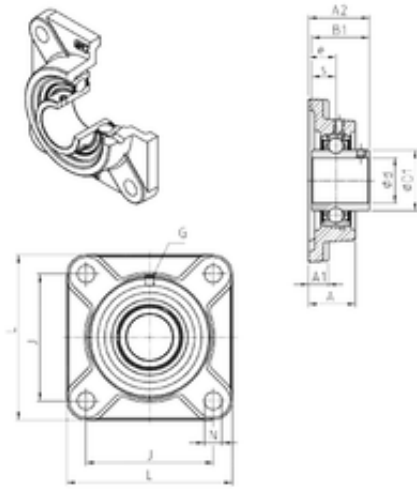




# NTN BEARING CORP.OF CANADA LTD.



## SNR UCF211 bearing units

Bearing No. UCF211

Bore Diameter	55 mm
d	55 mm
e	25 mm
s	22,2 mm
A	43 mm
A1	18 mm
B1	55,6 mm
D1	69 mm
J	130 mm
L	162 mm
N	19 mm
Thread (G)	M6x1
A2	58,4 mm
Weight	3,4 Kg
Basic dynamic load rating (C)	43,55 kN

UCF211 Bearing 2D drawings and 3D CAD models