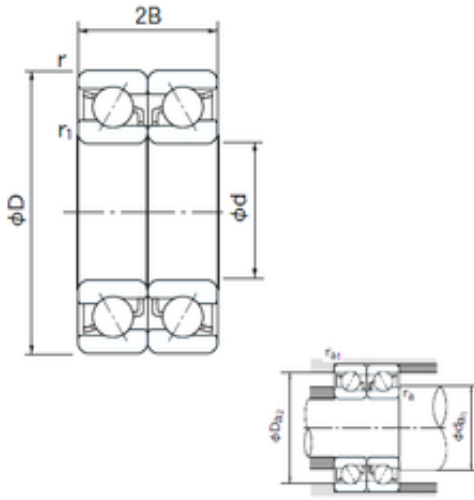




NTN BEARING CORP.OF CANADA LTD.



65 mm x 100 mm x 18 mm NACHI 7013DB
angular contact ball bearings

Bearing No. 7013DB

7013DB Bearing 2D drawings and 3D CAD models

Size	65x100x18 mm
Bore Diameter	65 mm
Outer Diameter	100 mm
Width	18 mm
d	65 mm
D	100 mm
B	18 mm
C	18 mm
Angle (°)	30 °
a	14.8 mm
r min.	1.1 mm
r1 min.	0.6 mm
2B	36 mm
da min.	71 mm
Da max.	96 mm
ra max.	0.6 mm
Weight	0.470 Kg
Basic dynamic load rating (C)	54,5 kN
Basic static load rating (C0)	62,5 kN
(Grease) Lubrication Speed	4300 r/min
Bore Type	Cylindrical Bore
Enclosure	Open
Configuration	Duplex
Bore Size	65 mm
Outside Diameter	100 mm



NTN BEARING CORP.OF CANADA LTD.

Width	18 mm
Fillet Radius/Chamfer	1.1 mm
r1	0.6 mm
Dynamic Load Rating	54,500 N
Static Load Rating	62,500 N
Limiting Speed - Grease	4,300 rpm
Limiting Speed - Oil	6,000 rpm
da1 (min)	71 mm
da2 (min)	71 mm
Da1 (max)	94 mm
Da2 (max)	96 mm
ra (max)	1 mm
ra1 (max)	0.6 mm