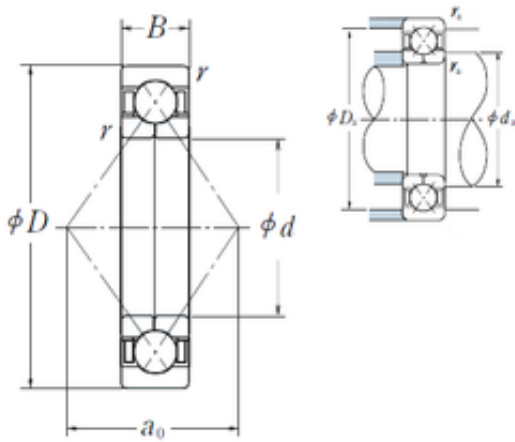




# NTN BEARING CORP.OF CANADA LTD.



80 mm x 125 mm x 22 mm NSK QJ1016 angular contact ball bearings

Bearing No. QJ1016

QJ1016 Bearing 2D drawings and 3D CAD models

Size	80x125x22 mm
Bore Diameter	80 mm
Outer Diameter	125 mm
Width	22 mm
d	80 mm
D	125 mm
B	22 mm
C	22 mm
Angle ( ° )	35 °
a	71,8 mm
r min.	1,1 mm
da min.	87 mm
da max	118 mm
ra max.	1 mm
Weight	1,05 Kg
Basic dynamic load rating (C)	77 kN
Basic static load rating (C0)	167 kN
(Grease) Lubrication Speed	3 800 r/min
SRI	7.02
hidYobi	QJ1016
LangID	1
ALP23	0
ALP22	0
D_	125
ALP21	35



## NTN BEARING CORP.OF CANADA LTD.

SREX	0.05
B_	22
hidTable	ecat_NSANGFP
Oil rpm	5300
C0r	17000
SRE	7.02
mass	1.05
GRS rpm	3800
ra	1
SRIX	0.05
D_a	118
Cr	7850
SRIN	0
C0	167
SREN	0
DE_	116.102
Prod_Type3	ACBB_FP_A
da	87
DA_	13.494
Z_	20
yobi	QJ1016
ao	71.8
SDM_	102.5
r	1.1
KBRG	7764
DI_	88.898