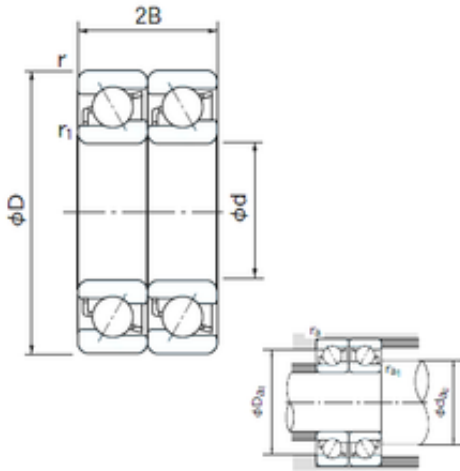




NTN BEARING CORP.OF CANADA LTD.



85 mm x 150 mm x 28 mm NACHI 7217DT angular contact ball bearings

Bearing No. 7217DT

7217DT Bearing 2D drawings and 3D CAD models

Size	85x150x28 mm
Bore Diameter	85 mm
Outer Diameter	150 mm
Width	28 mm
d	85 mm
D	150 mm
B	28 mm
C	28 mm
Angle (°)	30 °
a	19.9 mm
r min.	2 mm
r1 min.	1 mm
2B	56 mm
da min.	91 mm
Da max.	144 mm
ra max.	1 mm
Weight	1.87 Kg
Basic dynamic load rating (C)	167 kN
Basic static load rating (C0)	179 kN
(Grease) Lubrication Speed	3000 r/min
Bore Type	Cylindrical Bore
Enclosure	Open
Configuration	Duplex
Bore Size	85 mm
Outside Diameter	150 mm



NTN BEARING CORP.OF CANADA LTD.

Width	28 mm
Fillet Radius/Chamfer	2 mm
r1	1 mm
Dynamic Load Rating	167,000 N
Static Load Rating	179,000 N
Limiting Speed - Grease	3,000 rpm
Limiting Speed - Oil	4,000 rpm
da1 (min)	95 mm
da2 (min)	91 mm
Da1 (max)	140 mm
Da2 (max)	144 mm
ra (max)	2 mm
ra1 (max)	1 mm