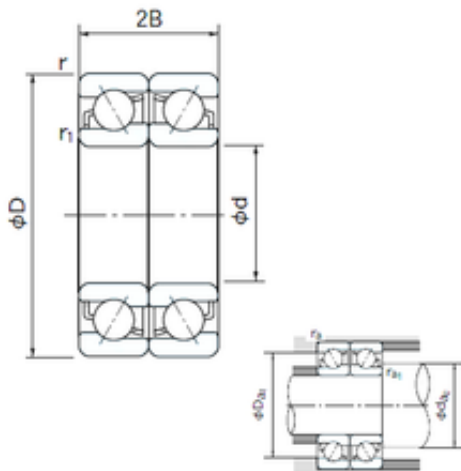




NTN BEARING CORP.OF CANADA LTD.



190 mm x 400 mm x 78 mm NACHI 7338DF
angular contact ball bearings

Bearing No. 7338DF

7338DF Bearing 2D drawings and 3D CAD models

Size	190x400x78 mm
Bore Diameter	190 mm
Outer Diameter	400 mm
Width	78 mm
d	190 mm
D	400 mm
B	78 mm
C	78 mm
Angle (°)	30 °
a	46.1 mm
r min.	5 mm
r1 min.	2 mm
2B	156 mm
da min.	200 mm
Da max.	390 mm
ra max.	2 mm
Weight	47.6 Kg
Basic dynamic load rating (C)	725 kN
Basic static load rating (C0)	1220 kN
(Grease) Lubrication Speed	1100 r/min
Bore Type	Cylindrical Bore
Enclosure	Open
Configuration	Duplex
Bore Size	190 mm
Outside Diameter	400 mm



NTN BEARING CORP.OF CANADA LTD.

Width	78 mm
Fillet Radius/Chamfer	5 mm
r1	2 mm
Dynamic Load Rating	725,000 N
Static Load Rating	1,220,000 N
Limiting Speed - Grease	1,100 rpm
Limiting Speed - Oil	1,500 rpm
da1 (min)	212 mm
da2 (min)	200 mm
Da1 (max)	378 mm
Da2 (max)	390 mm
ra (max)	4 mm
ra1 (max)	2 mm